



AIM LED G2

For minor surgery and procedures



Description

Aim-G2 is the latest product for minor surgery and procedures with 3-step dimming 100%, 75% and 50% via an easy-to-reach push button control on the head. It provides the best working environment for efficient, comfortable and safe procedures. It is highly flexible, positions exactly where it is needed, without drift and provides one of the best levels of colour rendering in its class. The long arm system ensures that the light can be positioned in the widest range of positions possible, making AIM-G2 ideal for outpatient procedures in a variety of settings and practices including accident and emergency departments, examination rooms and clinics.

High Class Light Quality

3 x LED optics providing 4300K colour temperature with colour rendering of CRI 97 and red CRI value(R9) of CRI >90. The 3 x optics can be focused from a narrow to wide beam pattern with the central control handle. Further flexibility is provided with the 3-step dimming function buttons. The unique Y-shaped head design provides easy light head placement to one side of the users head minimizing shadows on the procedural field.

Unlimited Rotation and Maximum Reach

The single ceiling AIM LED offers 360 degree limitless rotation around the vertical axis. The perfectly balanced arm/head can be positioned exactly where required by the user without any drift. The arm providing a maximum reach of 160cm from the down-pole centre axis allowing it to illuminate the patient from head to toe.

Available in single ceiling mount, double ceiling mount, wall or trolley floor versions.

Technical specifications

Mounting

Available to be mounted on the ceiling as single head or double head. Alternative versions are wall mounted single head or as a floor-stand trolley. Ceiling Mounted - 360 degree rotation of downtube/head. Downtube is supplied as standard with 63.5cm length for 2.7m ceiling heights. Other lengths available on request. Downtube can be cut-down to suit lower ceiling heights. Optimum mounting height: Ceiling 2.7m Wall: 2.3m - 2.4m

Electrical specification

230/240v integral LED driver. Optional remote 3 hour emergency battery back-up supply with remote 'charge indicator' panel available on request.

Optic

Head has 3 x reflector optic lenses that can be optically tilted with the centre handle to adjust pattern size on the working area. The Y-shaped head design minimizes user light shadow on the procedural field.

Light Source

Head has 3 x LED optics, 4300K, 50,000hrs providing 70,000 Lux @1m. CRI >97 with R9 red colour rendering of >90

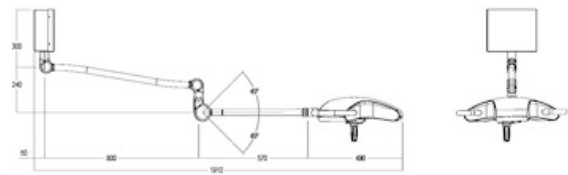
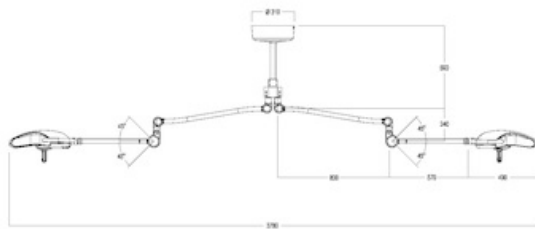
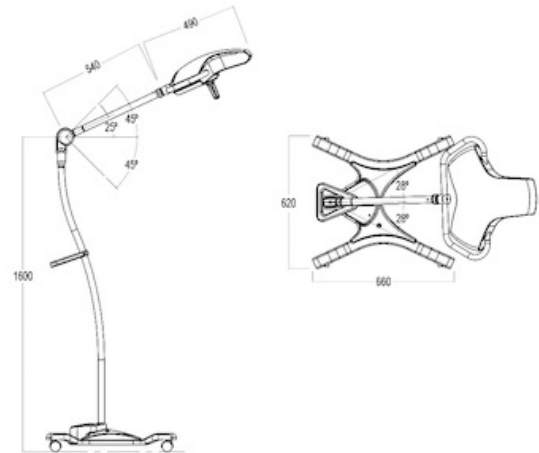
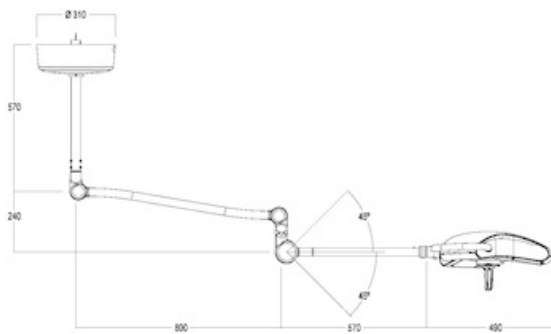
Arm technology and movement

Unlimited rotation and maximum reach of 1.875m. On single head version there is a 360 degree limitless arm rotation around the vertical axes.

Medical approvals and certificates

Class 1 medical device 93/42 EEC, EN60601-1, EN6061-1-2, EN6061-2-41.

Illustrations



Images

