

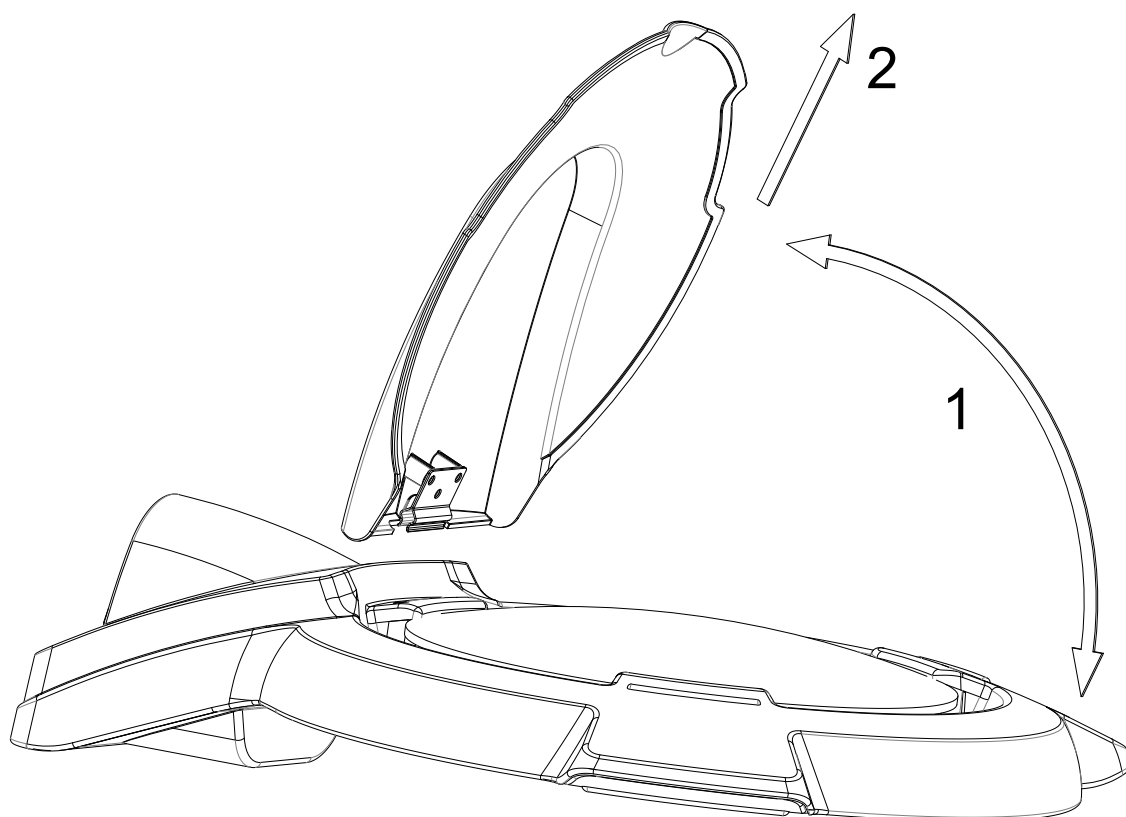
Circus

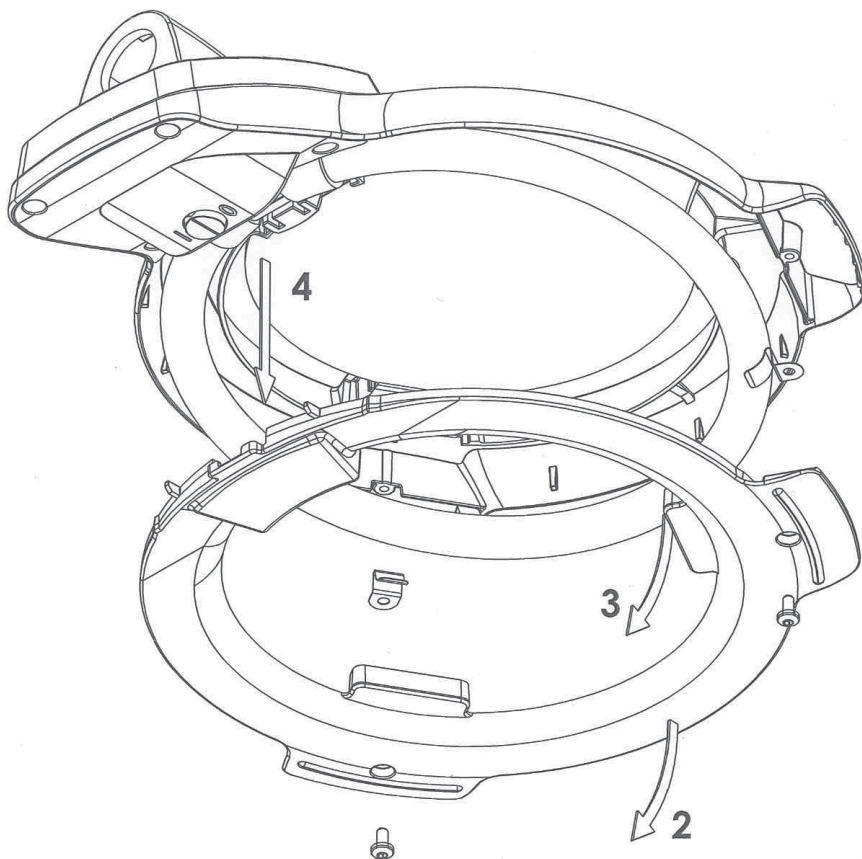
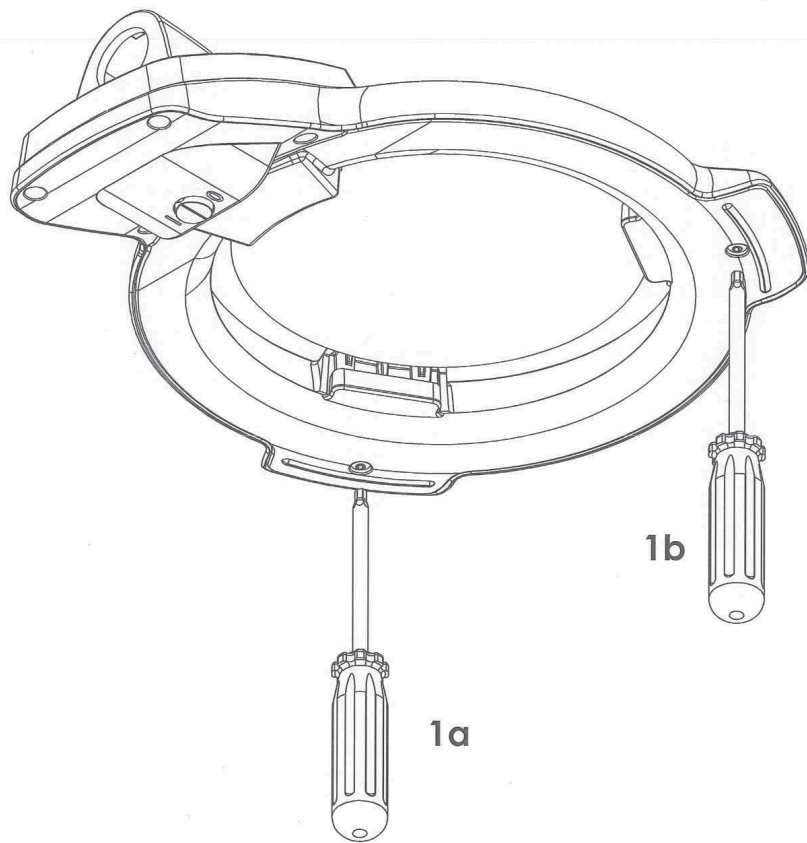
Instructions for use



Circus 1x22W T5-C

Instructions for use





Instructions for use – Circus
Illuminated magnifier – 22 W

General information

Magnifying lamp with circular T5 light tube for quality-conscious users. Used by beauty salons, doctors, skin care specialists, etc.

Installation:

This product contains a spring loaded arm. In order to avoid damage or possible injury, first mount table bracket or floor stand. Insert product and remove protective plastic sleeve or rubber band, and carefully unfold the product.

Always use enclosed table bracket, article number BRK014904 or optional floor stand BRK025205.

Glamox Luxo cannot guarantee the lifetime and functionality if third part accessories are used.

Precautions:

- Avoid spilling liquid on the lamp head
- NB! Never open the lamp head while the current is connected.

Replacing the light source

Start by switching off the power at the mains and removing the plug.

1. Remove the light source cover (see fig 1, pos. 1 and 2)
2. Press the springs that hold the light source in towards the lens (see fig.1, pos .3 and 4)
3. Use both hands to remove the light source (see fig. 2)

Fit the new light source by reversing the above procedure.

Cleaning

Open the lamp head as described above. Blow and dry off any dust and dirt.

Using of different cleaning agents for cleaning this product:

Avoid use of alcohol, acids or any kind of organic solvents (Isopropanol etc.)

Only use the weak mix of ordinary soap and water without any perfumes.

Troubleshooting

1. The luminaire does not work.
 - Replace the circular T5 light tube

If there should arise other problems please contact your local Glamox Luxo representative.

Classification

	Circus
Class	Class 1
Power supply	230-240V AC 50Hz V DC 220-240V
Power consumption	Max. 24W
Protection against risk of explosion	Not protected
Protection against liquid penetration	IP20
Degree of mobility	Mobile table
Type of approval	ENEC 17
Safety test in line with	EN 60598-2-4 (1997), EN 60598-1(2000)+A11(2000)+A12(2002)
EMC test in line with	EN 55015(2000)

Safety

Users of this form of lighting should be aware that the manufacturer of the product can only accept liability for the lighting when maintenance, repairs or changes are carried out by the manufacturer or by companies which the manufacturer has approved to carry out such work, and when components that influence the safety of the lighting are replaced with original spare parts. This product complies to EN 55015, Limits and methods of measurement of radio disturbance characteristics of electrical lighting and similar equipment. Electromagnetic or other interference between this equipment and other devices should not occur. In the event of interference, please move the equipments apart from each other.

The power cable must only be replaced by a qualified electrical fitter or other similarly qualified professional.

Any repairs of the arm must be performed by Glamox Luxo or us approved personnel. The arm contains high tensions springs.

Manufactured by:
GLAMOX ASA, BU Luxo Production Kirkenær
Industrifeltet, NO-2260 Kirkenær, Norway
TEL. (+47) 62 94 92 00

ART.: 05-900-678-00 Page 6 of 6
BRU-303-0012 Rev.nr.: 0

www.glamox.com