

Circus

Powerful magnifier with huge glass lens.

LUXO



Circus is well suited for demanding work in beauty parlours, clinics and laboratories, or as a tool for people with impaired vision. Circus has a large lens, aluminium head and a highly flexible self-balancing arm and shade neck. The large lens permits comfortable viewing with both eyes.

This excellent magnifier's light source is a circular T5 tube with good colour rendering. A circular light source is the ideal way of illuminating an object, virtually eliminating shadows.

Exact positioning

Circus has a highly flexible self balancing shade neck. The shade neck can be positioned horizontally, vertically and laterally making the luminaire very flexible for most examinations. The fully covered spring balanced arm makes it easy to position the luminaire in the correct position and makes cleaning easy. A hinged sun cover is standard.

Standard version with 3.5 or 5 dioptré lens and table clamp. Arm and body colour: white. Colours of plastic details: Black.

About magnification

Follow this link to read more about the principles of magnification, and how a Luxo magnifier can make a difference for people in many different fields of life.

• [Luxo illuminated magnifiers](#)

Circus

TECHNICAL DESCRIPTION

LIGHT SOURCE

Supplied with 1 x T5-C 22 W.

BALLAST

Electronic ballast (HF).

BODY MATERIAL & COLOUR

Steel arm with aluminium head. Shade neck cover in rubber and sun cover in plastic. Colours: white arm and white head, plastic parts in black.

MOUNTING

Standard with table clamp (AH clamp). Other table clamps, integrated table mounts and trolley are available on request.

OPTICS

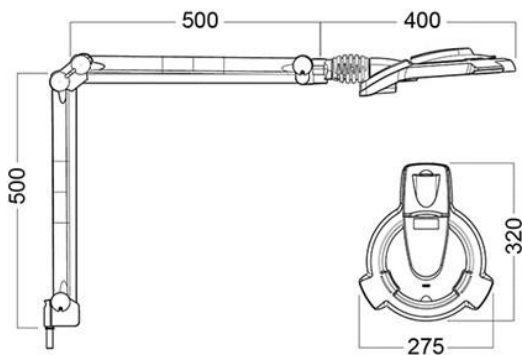
Standard with 3.5 D or 5D crown glass lens. Lens diameter is 165 mm.

For additional magnification a secondary lens, 4D, 6D or 10D can be attached to the magnifier.

ARM TECHNOLOGY & MOVEMENT

Parallel, three-pivot arm. Arm length is 100 cm.

MEASUREMENT DRAWINGS



Circus

Circus

GALLERY



Circus



Circus



Circus



Circus