



GS 300 General Exam Light

Manual part no. 718916
© 2014 Welch Allyn

Symbol descriptions

- See the accompanying manual.
- Caution: High intensity light.
- Use indoors.
- Power on/off.
- Warning
- Caution
- Temperature limits
- Humidity limitation
- Atmospheric pressure limitation

Warnings and cautions

- WARNING:** Read and understand the instructions prior to use of this product. Failure to understand the operating requirements for this product may result in injury to yourself, the patient and/or may damage the instrument.
- WARNING:** Do not operate this product in the presence of flammable anesthetics or other flammable substances in combination with air, oxygen-enriched environments, or nitrous oxide; explosion can result.
- WARNING:** Illumination is intense. Do not stare at the light source in operation. May be harmful to eyes. To minimize risk of harm to the eyes from optical radiation hazards, avoid looking at bright light sources and their reflections, and protect eyes where normal pupil sizes and aversion responses are not present.
- WARNING:** Use the examination light in its intended working range of 20 in (50 cm). Exposures at closer distances may be harmful to skin. To minimize risk of harm to the skin from optical radiation hazards, minimize illumination intensity at the tissue examination site, minimize exposure times, and take additional precautions when skin sensitivity has been altered through tissue trauma or the use of anesthesia.
- WARNING:** This is a class A product. In a hospital/physician's office environment this product may cause radio interference in which case the user may be required to take adequate measures.
- WARNING:** Do not modify this equipment. Any modification of this equipment can lead to patient injury. Any modification of this equipment voids the product warranty.

Warnings and cautions (continued)

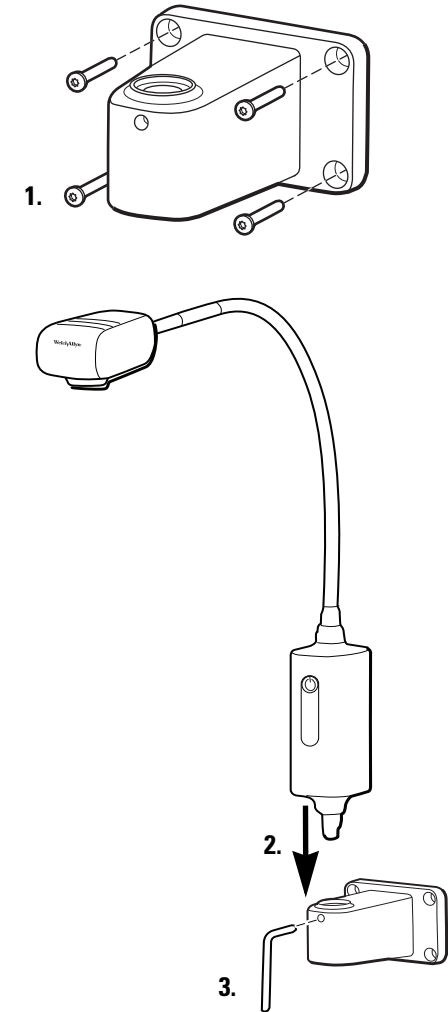
- CAUTION:** Only authorized Welch Allyn Service Centers can perform service on this product.
- CAUTION:** There are no user serviceable/replaceable parts.
- CAUTION:** Rx only.

Intended use

The Welch Allyn GS 300 is designed to meet the various needs of the physician's office, hospital environment and specialist's office. It is not intended for rendering diagnosis or surgery.

Mounting

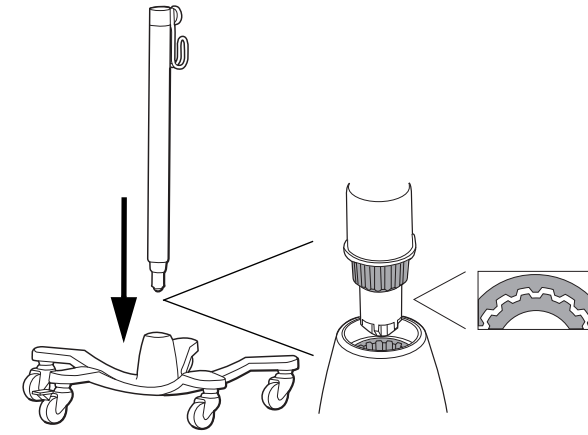
Table/wall mount



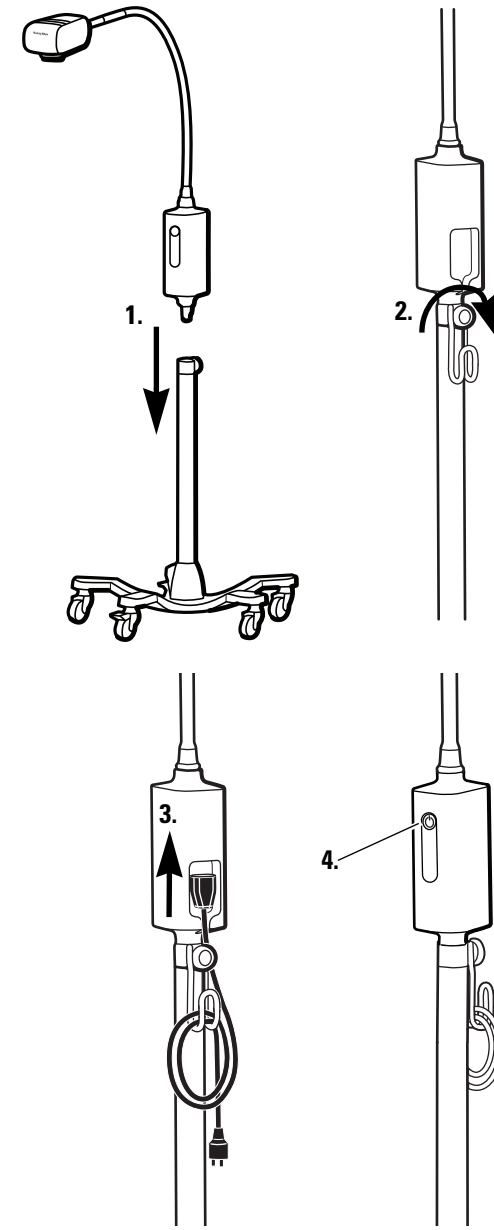
WARNING: Ensure that the mounting bracket is securely anchored to the wall or table, or that the mobile stand is securely assembled, and the exam light is securely fastened to the bracket or stand as directed. Do not hang or place objects on the equipment.

Setup instructions

Mobile stand assembly instructions



Set up



Cleaning

WARNING: Ensure that the device is unplugged from wall socket.

Luminaire



Clean with a damp cloth using warm water and mild detergent or one of the following solutions:

- 70 percent isopropyl alcohol
- 10 percent mild bleach solution

Wipe dry with a clean cloth.

Troubleshooting

	Possible cause	Solution
	Power supply fault. No power supplied to light.	Verify all cables are connected correctly.
	Light is not functioning correctly	Call Welch Allyn Customer Service.

Warranty

Two years.

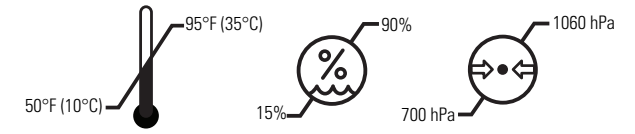
Specifications

Electrical

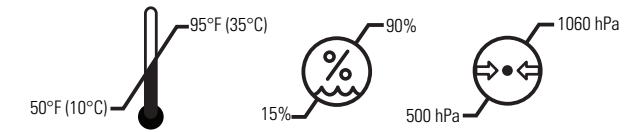
Input: 100-240 V~ 50Hz-60Hz, 0.35A max

Environment

Operating:



Transport/storage:



Equipment classification

Safety Class I, Continuous Operation

Additional technical information

www.welchallyn.com/gsseries

Approvals

IEC 60601-1, UL 60601-1, IEC 60601-1-2, CAN/CSA C22.2 No 601.1-M90, AS/NZS3200



Welch Allyn, Inc.
4341 State Street Road
Skaneateles Falls, NY 13153-0220 USA
www.welchallyn.com



Regulatory Affairs Representative
Welch Allyn Limited
Navan Business Park
Dublin Road
Navan, County Meath Republic of Ireland

NOTE: This product complies with current required standards for electromagnetic interference and should not present problems to other equipment or be affected by other devices. As a precaution, avoid using this device in close proximity to other equipment.



www.welchallyn.com/weee

Patent No.: US D621,981 S