

Aim LED

For minor surgery and procedure



Aim LED

For minor surgery and procedure



Description

Aim gives the professional healthcare market the best light in its category. It provides the best working environment for efficient, comfortable and safe procedures. It is highly flexible, positions exactly where it is needed and provides one of the best levels of colour rendering in its class. The long arm system ensures that the light can be positioned in the widest range of positions possible, making Aim ideal for outpatient procedures in a variety of settings and practices including emergency rooms, physician offices and clinics.

Crisp, clear light

Aim has crisp, clear, white light combined with an extremely high colour rendering index. The overlapping multi reflector design provides excellent shadow reduction. The result is a homogenous light, even if the light intensity is reduced by obstructions.

Many options

Aim is part of a total lighting system. It can be wall mounted, ceiling mounted as a single or double unit, or mounted on a flexible floorstand. With its 360° limitless arm and mounting system rotation around the vertical axes on the single ceiling models it is probably the most versatile and efficient diagnostic light in its class.

LED

Aim LED version has 10 times greater (20,000 hours) lamp life than traditional light source products. This means serious savings in lamp replacement. It will also contribute to a reduced electricity bill: AIM LED uses 55% less energy than traditional luminaires.

Approved medical device

Aim is approved as a medical device according to IEC/EN 60601-1 Medical electrical equipment - Part 1: General requirements for basic safety and essential performance and IEC/EN 60601-1-2 Electromagnetic compatibility – requirements and tests, and EN 60601-2-41 Safety of surgical luminaires and luminaires for diagnosis

Aim LED

For minor surgery and procedure



Technical description

Light source Supplied with 3 x LED units, 4300K, 20,000 hours life (AIM LED) giving 45,000 lux @ 1 metre. Colour rendering Index CRI 92 - colour temperature 4300 Kelvin.

Body material & colour Die cast aluminium body. White/grey finish.

Mounting AIM can be mounted on a double ceiling mount, single ceiling mount, wall, or trolley stand. The downtube on the ceiling version can be cut-down to suit lower ceiling heights.

Optimum Mounting Height

Ceiling: 2.7m

Wall: 2.2m - 2.4m

Optic Symmetrical light output, polycarbonate lens.

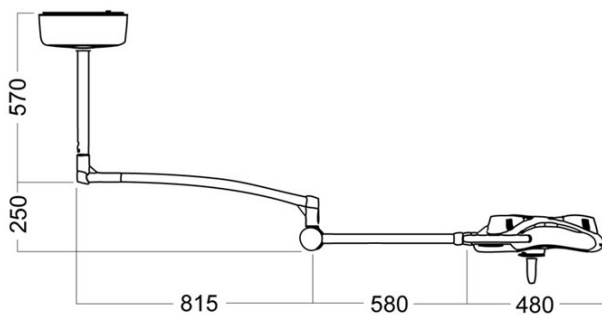
Power supply 230/240v integral LED driver.

Optional remote 3 hour emergency battery back-up supply with remote 'charge indicator' panel available on request.

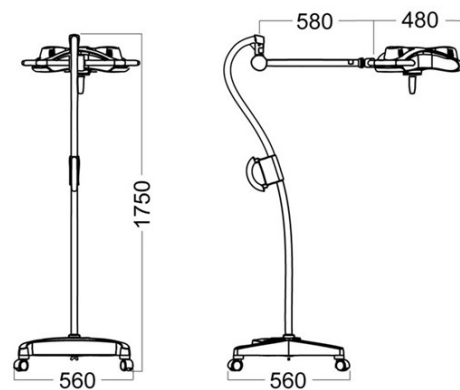
Arm technology & movement Unlimited rotation and maximum reach of 1.875m. 360 degree limitless arm rotation around the vertical axes on single ceiling models.

Medical approvals and certificates Class 1 medical device 93/42 EEC, EN60601-1, EN6061-1-2, EN6061-2-41.

Measurement drawings



Aim Ceiling



Aim Floorstand