

CoolSpot II

The spotlight of choice!

LUXO



The aesthetically appealing CoolSpot II offers pure, white light, a no-drift arm, high-intensity output and variable spot size control with a choice of beam diameter and colour temperature. These features make it perfect for obstetrics and gynecology, dermatologists, plastic surgeons and emergency rooms.

Sophisticated optics

The 150W halogen lamp and advanced optical lens system create a uniform light field with a clear cut off. Intensity and size of the spot can be adjusted. Maximum illumination at 0,6 metre is 140.000 lux with a colour temperature of 3500K. A filter can be rotated into position to give a colour temperature of 4300 K.

Many options

CoolSpot II is part of a total lighting system. It can be wall mounted, ceiling mounted as a single or double unit or mounted on a floorstand. Combined with Outpatient II it has the performance of a minor operating system. All arm systems are spring balanced for maximum flexibility.

Approved medical device

CoolSpot II is approved as a medical device according to IEC/EN 60601-1 Medical electrical equipment - Part 1: General requirements for basic safety and essential performance and IEC/EN 60601-1-2 Electromagnetic compatibility – requirements and tests, and EN 60601-2-41 Safety of surgical luminaires and luminaires for diagnosis.

CoolSpot II



TECHNICAL DESCRIPTION

LIGHT SOURCE

Supplied with (20v) 1 x 150w GU5.3

BODY MATERIAL & COLOUR

Die cast aluminium body. White finish.

MOUNTING

Coolspot can be mounted on a double ceiling mount, single ceiling mount, wall, or trolley stand.

OPTICS

Advanced optical lens system to create a uniform light field with a defined cut-off. Intensity and size of illuminated area can be adjusted.

POWER SUPPLY

230/240v integral wire wound transformer.

ARM TECHNOLOGY & MOVEMENT

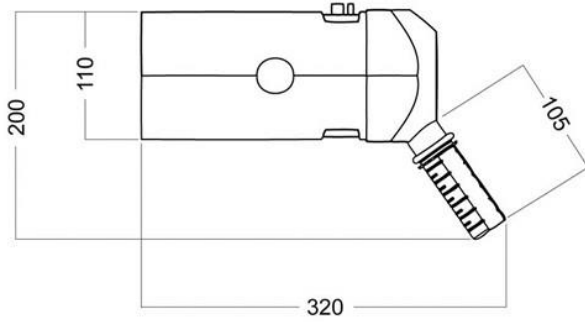
Arm systems are spring balanced for maximum flexibility and stability.

MEDICAL APPROVALS AND CERTIFICATES

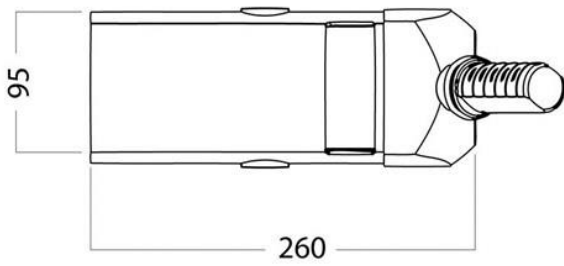
Class 1 medical device 93/42 EEC, EN60601-1, EN6061-1-2, EN6061-2-41

CoolSpot II

MEASUREMENT DRAWINGS



CoolSpot II



CoolSpot II