

LHH | LHH LED

Medical examination luminaire

LUXO



It is the highly flexible self balancing arm in conjunction with excellent light output that has given our LHH diagnostic luminaires their vast popularity among the medical profession. The frictionless horizontal and vertical movement and the ease of use make the LHH the most flexible examination luminaire on the market – and the best in its class.

For demanding viewing conditions

LHH is designed especially for demanding viewing conditions that require exceptionally good light such as medical examination and minor procedures. It has widespread applications throughout the health sector, in hospitals, health centers and consulting rooms.

Different mounting options

LHH is available for wall, ceiling and table/trolley mounting. We offer a wide selection of specialized brackets for all mounting purposes. Table/trolley version supplied with table clamp as standard, trolley to be ordered separately. Colour: White.

Halogen or LED

LHH is available with traditional halogen light source or LED. LHH 10 is designed for general examinations that require a large working field. LHH 20 is designed for maximum illumination in a limited area and ideal like obstetrics, gynecology and wound care.

Approved medical device

LHH is approved as a medical device according to IEC/EN 60601-1 Medical electrical equipment - Part 1: General requirements for basic safety and essential performance and IEC/EN 60601-1-2 Electromagnetic compatibility – requirements and tests.

LHH | LHH LED



LHH | LHH LED

TECHNICAL DESCRIPTION

LIGHT SOURCE

Supplied with 1 x QR-CN 50W (10deg or 24deg) or 1 x integrated LED module 15W.

Correlated colour temperature (CCT) on LED module is 4300K, LHH10 & LHH20 3300K.

Colour rendering index (CRI) LED is Ra93, LHH10 & LHH20 is Ra98.

LHH10 - 4330 lux @ 1 metre, work field (D10) 520mm diameter.

LHH20 - 20,700 lux @ 1 metre, work field (D10) 240mm diameter.

LHH LED - 15,000 lux @ 1 metre.

BODY MATERIAL & COLOUR

Steel arm with plastic covers. Aluminium and plastic shade.
Colour: White.

MOUNTING

LHH can be mounted on ceiling, wall, table or trolley. Various table clamps, integrated table mount, wall mount, ceiling mount and trolley are available on request.

Note, 'C' (ceiling) version has locking device in spigot to prevent accidental removal, only suitable for use with ceiling bracket.

LHH wall and ceiling versions are supplied with 3m cable, trolley/table version with 5m cable.

OPTICS

Symmetric light output. LHH 20 uses a lens system for maximum illumination. LHH LED uses polycarbonate lenses.

POWER SUPPLY

Delivered with cable and plug.

ARM TECHNOLOGY & MOVEMENT

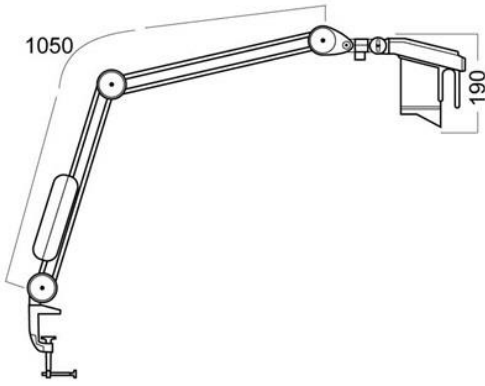
Parallel, three-pivot arm. Arm length is 105 cm.

MEDICAL APPROVALS AND CERTIFICATES

UL 60601-1, IEC/EN 60601-1, IEC/EN 60601-1-2.

LHH | LHH LED

MEASUREMENT DRAWINGS



LHH

GALLERY



LHH Trolley



LHH